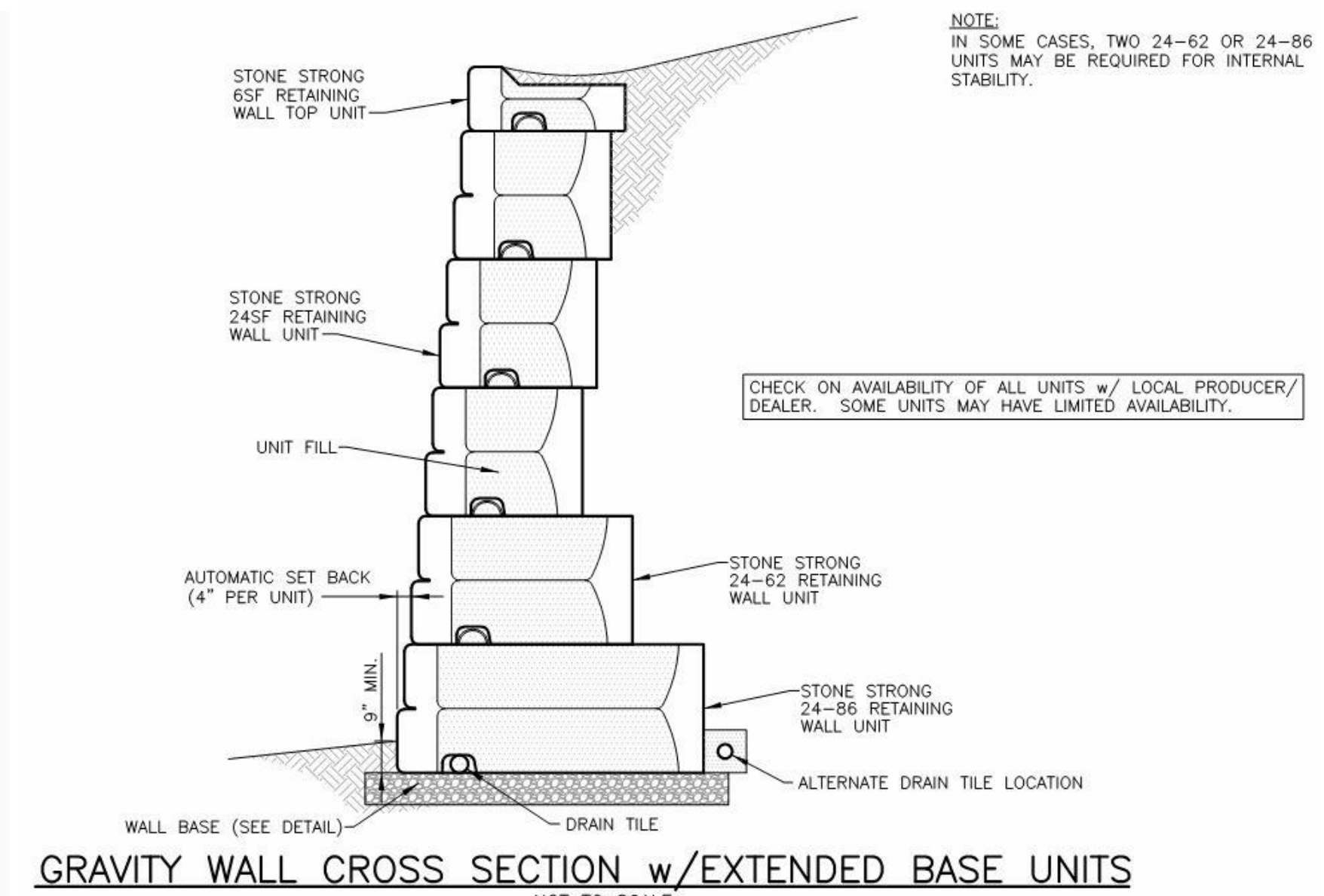
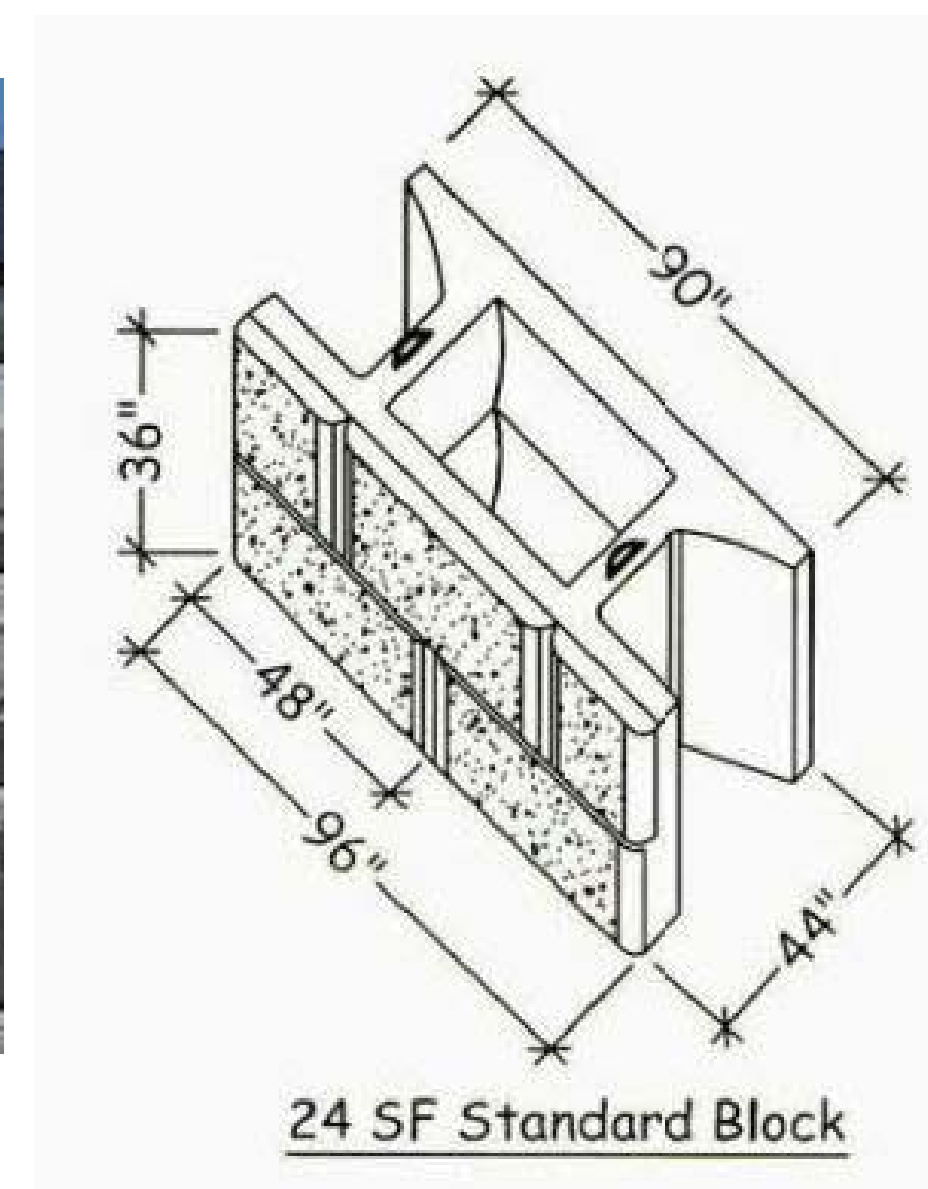
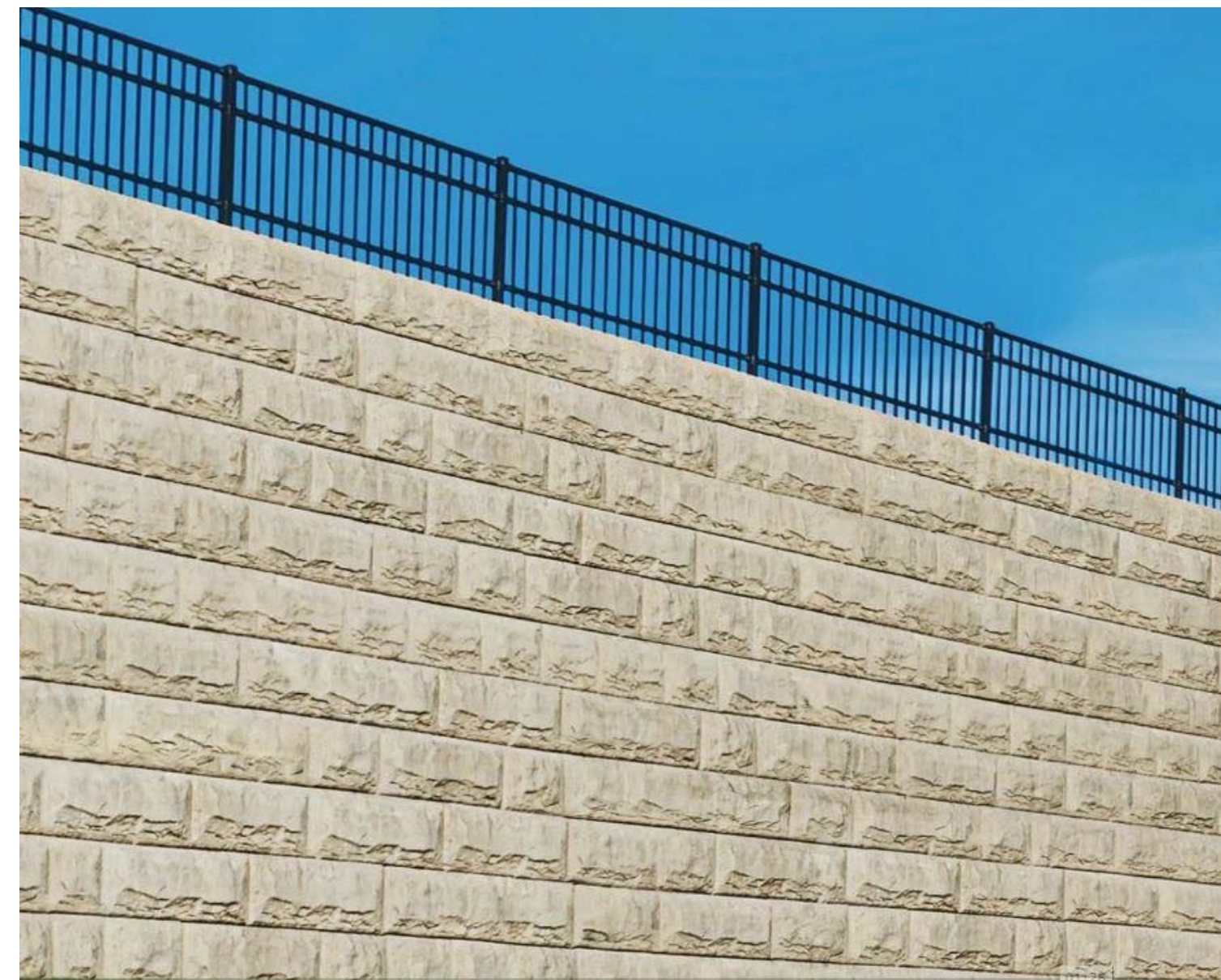


# Stone Strong Precast Retaining Wall



**PLANNING BOARD SUBMISSION**

**The Inn At Taughannock  
Site Development**  
 2030 Gorge Road  
 Trumansburg, New York 14886

Revision Schedule		
Number	Description	Date

Retaining Wall Product Info	
Project No:	TIAT01
Date:	09/12/17
Drawn by:	BAD
Checked by:	JKD
<b>SR1.02</b>	
Scale:	